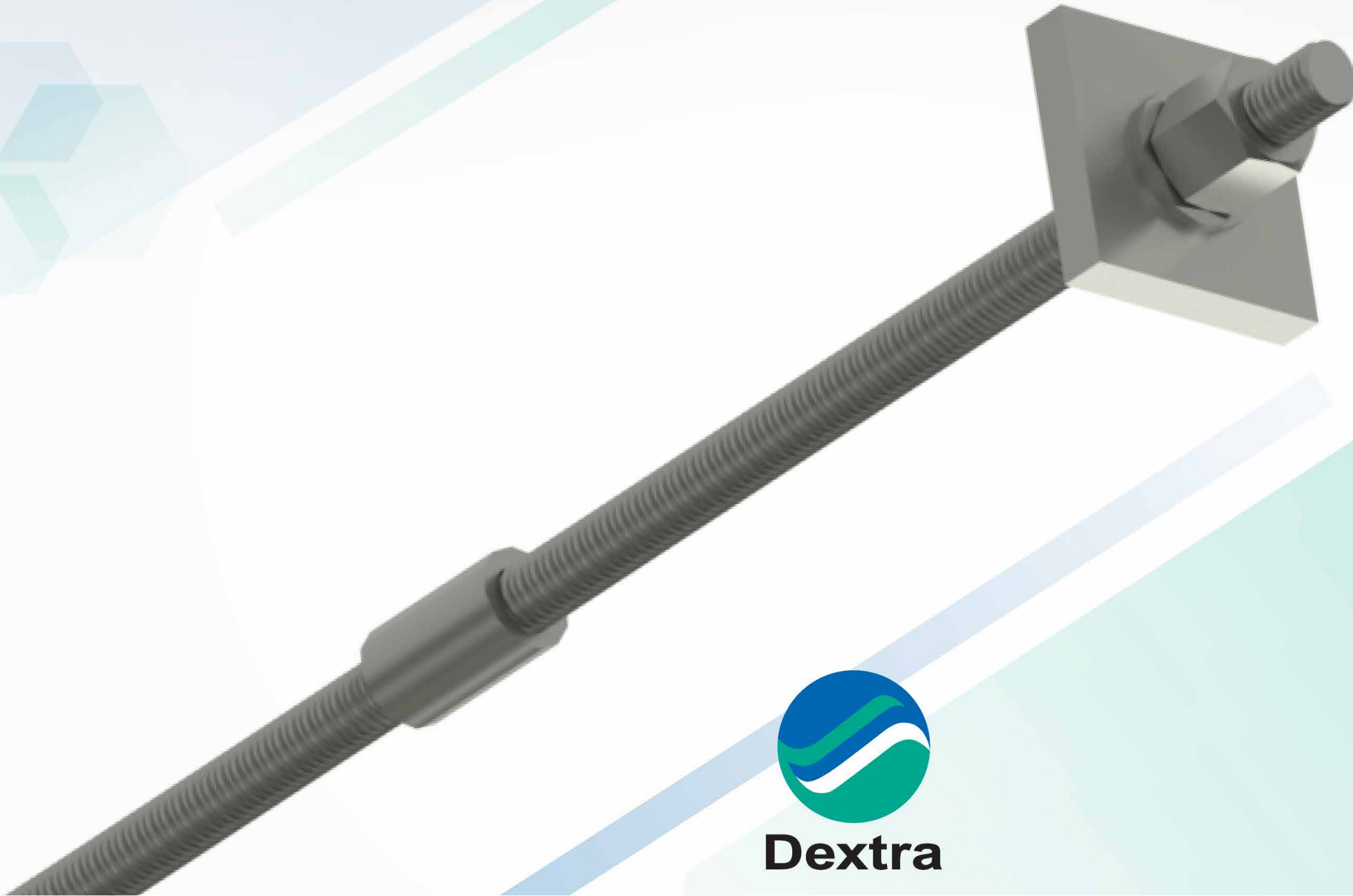


Dextra CTB 1080 Systems



Dextra

Dextra CTB 1080 range



Product features

- Cold-rolled Dextra CTB 1080 (quenched & tempered).
- Diameter range available from 26.5mm to 75mm.
- Bar grade: 950/1080.
- 10% Elongation after fracture.
- Pitch 6mm for \leq OD40mm and 8mm for \geq OD47mm.
- Length up to maximum 11.8m.
- Complete accessory range available: couplers, washers, nuts & plates.
- All accessories are designed to exceed the load performance of the bar.

Product benefits

- Re-usable / re-tensioning*
- Available in standard lengths of 3m, 5.8m, 9m, 11.8m. Custom lengths available upon request.
- Cuttable at the site.
- Continuous thread makes connection possible at any point.

* The bars and components can be re-used/re-tensioned providing that the actual condition of each component is in the same condition as its first use and undamaged. Subject to Engineer's validation and approval at site.

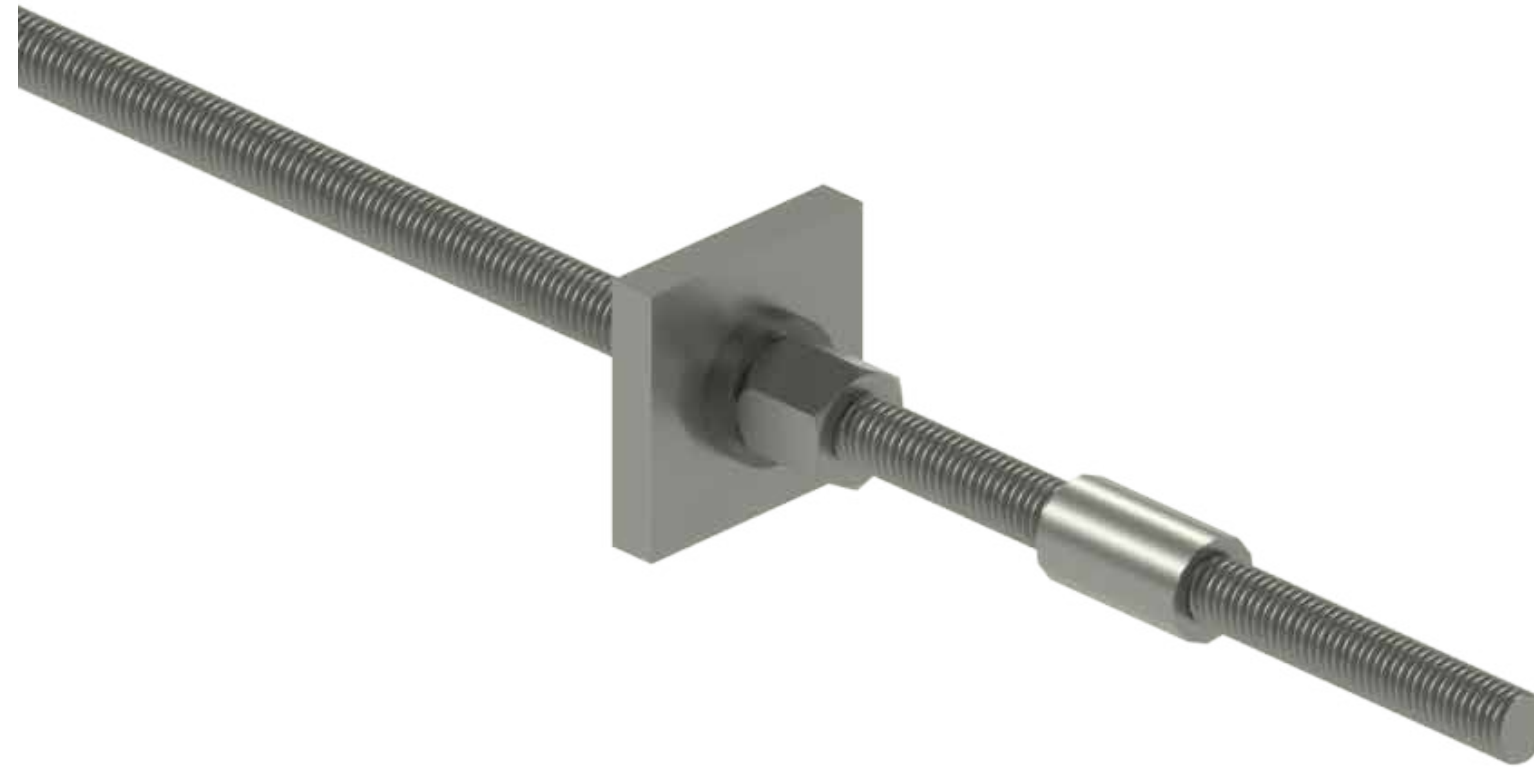
Dextra CTB 1080 load table

Bar Nominal Diameter (mm)	Nominal Thread Size (mm)	Pitch (mm)	Critical cross section area (mm ²)	Linear Weight (kg/m)	Grade 950/1080	
					Yield Load (kN)	Ultimate Load (kN)
26.5	31.76	6	540	4.52	513	583
32	38.87		872	6.55	829	942
36	41.88		1,037	8.27	985	1,120
40	45.89		1,278	10.18	1,214	1,380
47	55.03	8	1,787	14.00	1,697	1,929
50	57.23		1,955	15.82	1,858	2,112
57	65.25		2,634	20.51	2,502	2,844
65	70.25		3,109	26.62	2,953	3,357
75	80.26		4,177	35.37	3,968	4,511

Note :

- Yield loads and ultimate loads are unfactored.
- Yield stress is 0.1% proof stress.
- The modulus of elasticity may be taken as $E = 205,000 \text{ N/mm}^2$.
- Percentage elongation after fracture $\geq 10\%$

Dextra CTB 1080 accessories



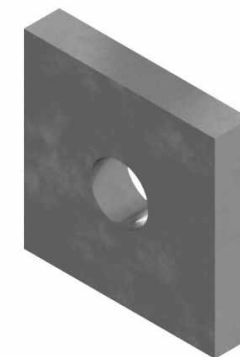
Couplers



Nuts



Bearing plates

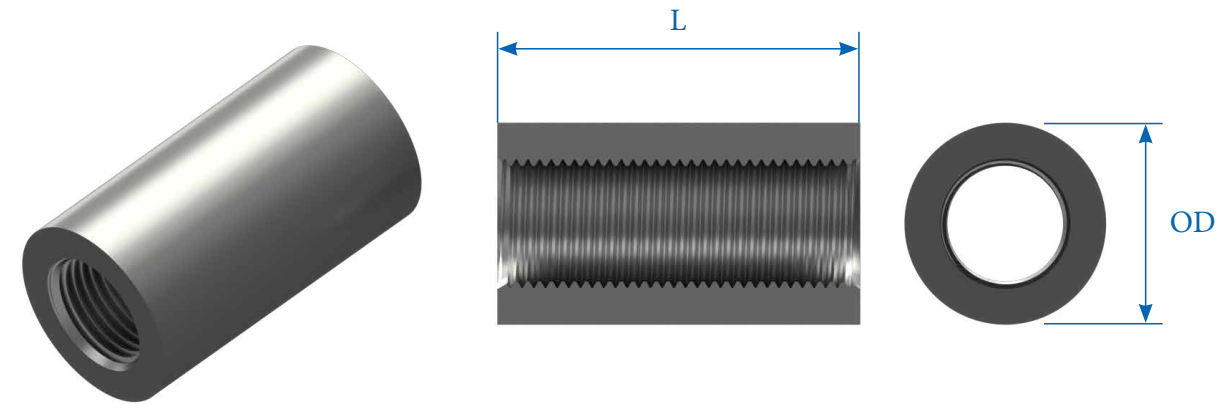


Washers



Dextra CTB 1080 accessories

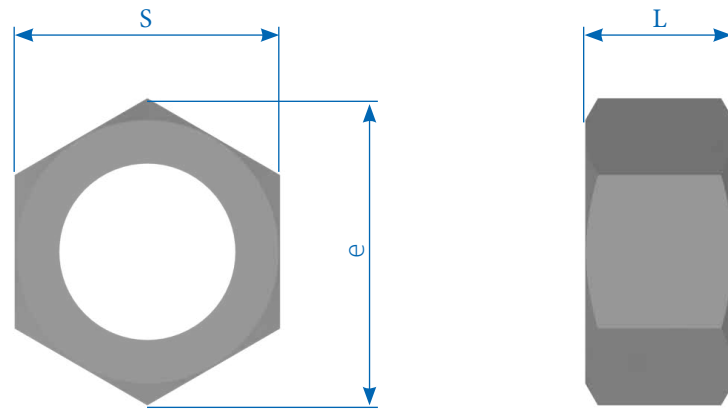
Couplers without stopper



Bar nominal diameter	OD	L
mm	mm	mm
26.5	48	72
32	56	96
36	62	104
40	70	116
47	85	126
50	85	148
57	100	172
65	110	184
75	125	214

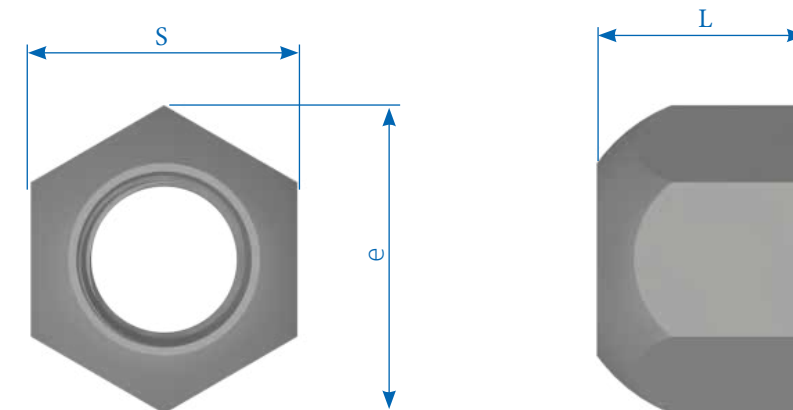
Dextra CTB 1080 accessories

Hex nuts



Bar nominal diameter	S	e	L
mm	mm	mm	mm
26.5	50	57.7	32
32	60	69.3	44
36	65	75.1	48
40	75	86.6	54
47	90	103.9	57
50	90	103.9	68
57	100	115.5	80
65	114	131.6	86
75	125	144.3	101

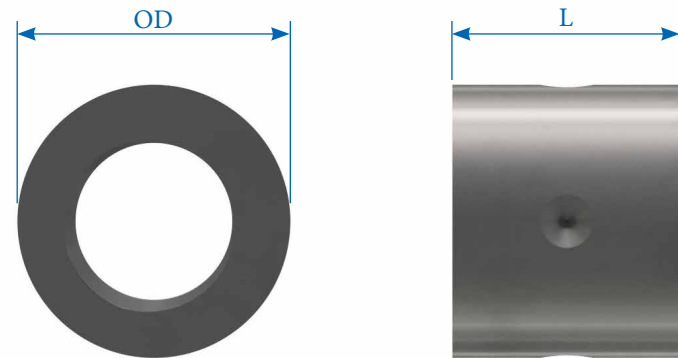
Swivel hex nuts



Bar nominal diameter	S	e	L
mm	mm	mm	mm
26.5	50	57.7	40
32	60	69.3	52
36	65	75.1	56
40	75	86.6	62
47	90	103.9	65
50	90	103.9	76
57	100	115.5	88
65	114	131.6	94
75	125	144.3	109

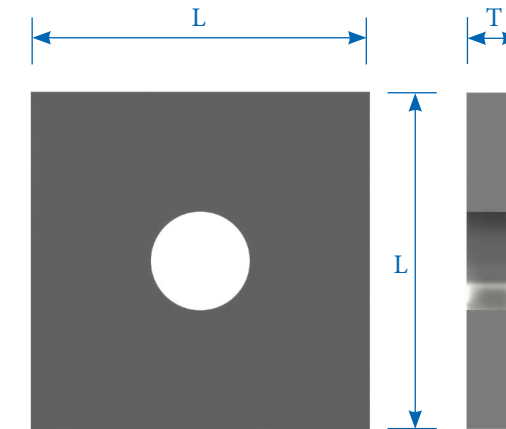
Dextra CTB 1080 accessories

Stressing Round nuts



Bar nominal diameter	OD	L
mm	mm	mm
26.5	48	36
32	56	48
36	62	52
40	70	58
47	85	63
50	85	74
57	100	86
65	110	92
75	125	107

Flat bearing plates

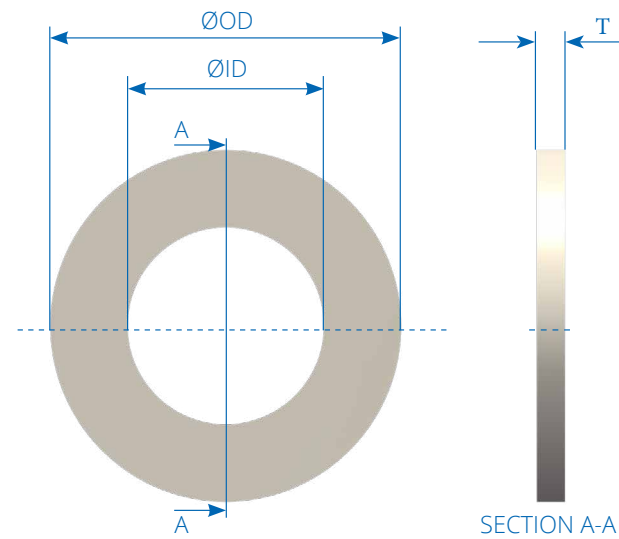


Bar nominal diameter	L	T
mm	mm	mm
26.5	130	25
32	130	30
36	160	30
40	170	35
47	195	40
50	210	45
57	240	50
65	275	60
75	315	70

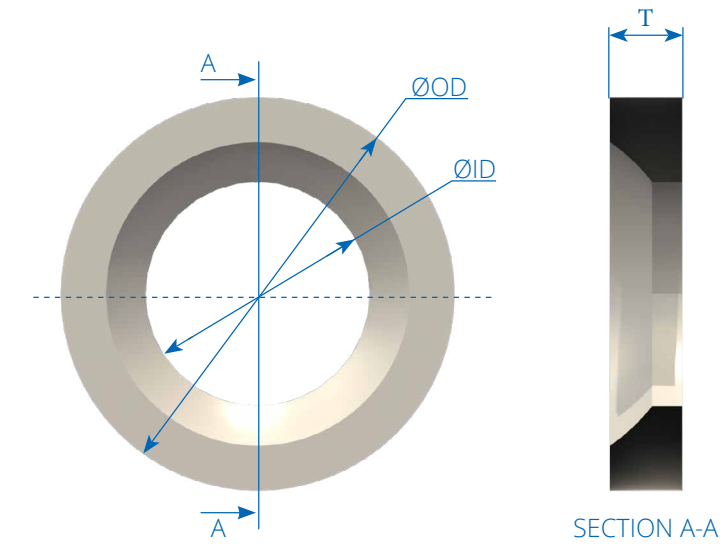
Plates are made of steel grade S355JR as per EN 10025 or equivalent.

Dextra CTB 1080 accessories

Plain washers

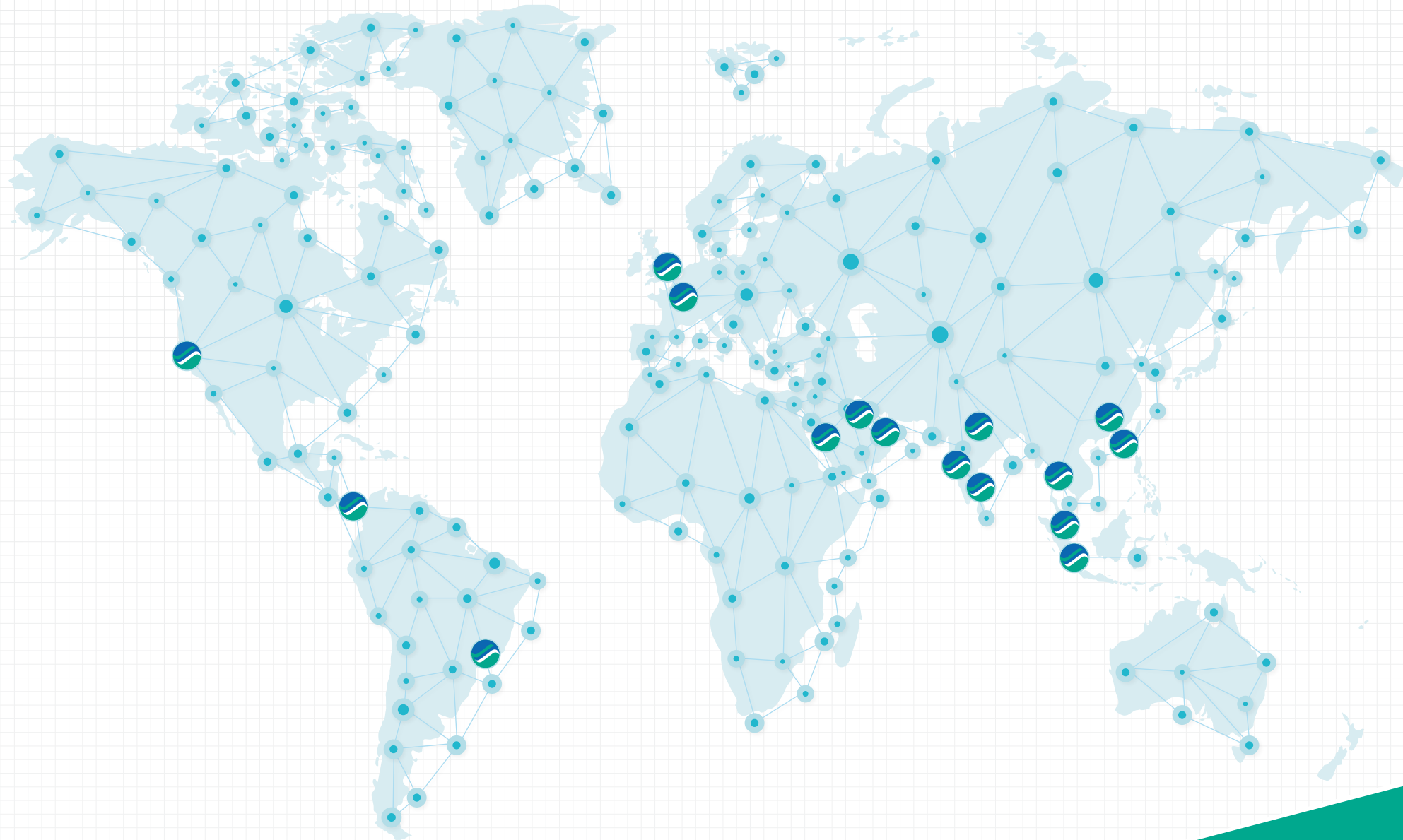


Swivel washers



Bar nominal diameter	ØOD	ØID	T
mm	mm	mm	mm
26.5	65	37	5
32	80	44	7
36	85	47	7
40	95	51	7
47	130	61	12
50	130	63	12
57	140	71	12
65	140	76	14
75	160	86	17

Bar nominal diameter	ØOD	ØID	T
mm	mm	mm	mm
26.5	65	37	13
32	80	44	16
36	85	47	17
40	95	51	19
47	130	61	21
50	130	63	21
57	140	71	25
65	140	76	29
75	160	86	32



Commercial presence
in more than
55 countries



Dextra

Main offices (click on the address to see more information)

HEADQUARTERS THAILAND
Dextra Manufacturing Co., Ltd.
Tel: (66) 2 021 3800

CHINA
Dextra Building Products (Guangdong) Co., Ltd.
Tel: (86) 20 2261 9901

HONG KONG
Dextra Pacific Ltd.
Tel: (852) 2511 8236

EUROPE
Dextra Europe S.A.R.L.
Tel: (33) 1 45 53 70 82

MIDDLE EAST
Dextra Middle-East FZE
Tel: (971) 4886 5620

INDIA
Dextra India Pvt. Ltd.
Tel: (91) 22 2839 2694

NORTH AMERICA
Dextra America Inc.
Tel: (1) 206 742 6020

LATIN AMERICA
Dextra Latam
Tel: (507) 6454 8100