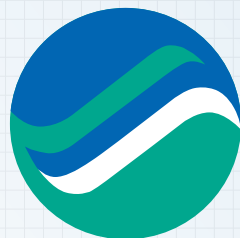
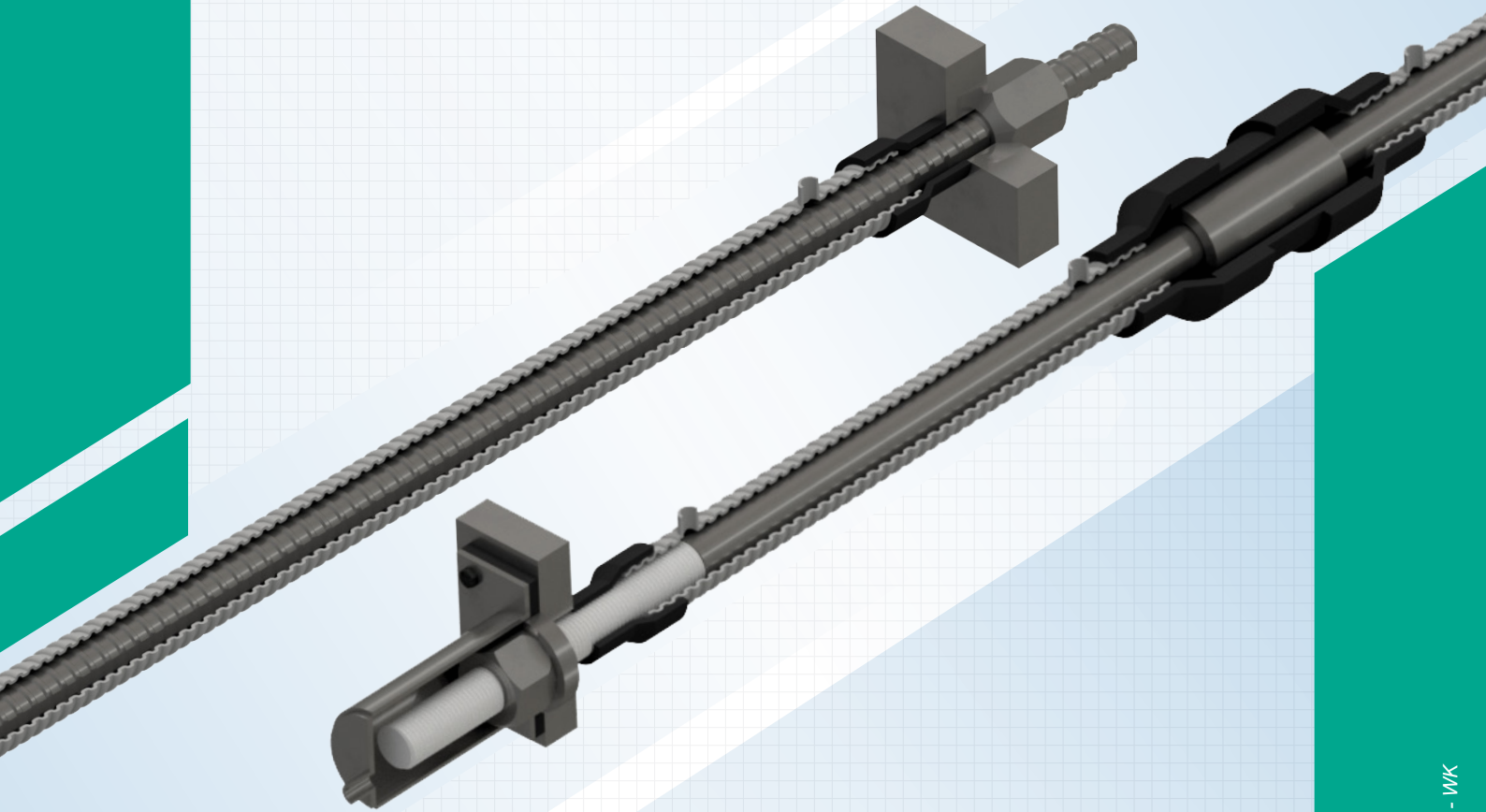


# Post Tensioning Bar Systems

PRODUCT DATASHEET



**Dextra**

[www.dextragroup.com](http://www.dextragroup.com)

<b>INTRODUCTION .....</b>	<b>3</b>	<b>CORROSION PROTECTION .....</b>	<b>23</b>
<b>SYSTEM DESCRIPTION .....</b>	<b>4</b>	Bar corrosion protection .....	23
Internal vs external use .....	4	Anchorage corrosion protection .....	23
Post tension bar & components.....	4	<b>STRESSING .....</b>	<b>24</b>
<b>SMOOTH BARS RANGE .....</b>	<b>5</b>	Limitation of stressing force .....	24
Product features.....	5	Stressing procedure.....	24
Product benefits.....	5	<b>TRANSPORTATION &amp; INSTALLATION ...</b>	<b>25</b>
Special application .....	5	Bars packing.....	25
Load table.....	5	Accessories packing .....	25
Bar and thread length.....	6	Drawing approval.....	25
Bar and thread length for grouting.....	7	Installation.....	25
<b>SMOOTH BARS ACCESSORIES .....</b>	<b>8</b>	Grouting or compound injection.....	25
Couplers with stopper .....	8	Transportation, handling and storage....	25
Couplers without stopper .....	9	Temporary surface rust prevention.....	25
Hex nuts .....	10	<b>QUALITY &amp; TRACEABILITY.....</b>	<b>26</b>
Swivel hex nuts.....	11	Labeling & identification .....	26
Flat bearing plates.....	12	Quality assurance.....	26
Plain washers.....	13	Traceability control.....	26
Swivel washers.....	14	<b>ENQUIRIES.....</b>	<b>26</b>
PT-cap active end tube .....	15	<b>PROJECT REFERENCES .....</b>	<b>27</b>
PT-cap passive end tube.....	16		
<b>FULLY THREADED RANGE .....</b>	<b>17</b>		
Product features.....	17		
System load table.....	17		
Bar and thread length.....	18		
<b>FULLY THREADED ACCESSORIES.....</b>	<b>19</b>		
Bearing plates .....	19		
Flat and swivel hexagonal nuts.....	20		
Flat washers and couplers .....	21		
Caps .....	22		
Ducts .....	22		
Continuation connection .....	22		

# Introduction

## POST TENSIONING BAR SYSTEMS RANGE

The Dextra Pre-Stressing / Post Tensioning System consists for a high tensile steel bar together with accessories, such as couplers, nuts washers, bearing plates. The system is available in the widest range of bar diameters available on the market and in 3 strength grades.

Both smooth, end threaded bars, and hot rolled coarse threaded bars are available to best suit the project application for either temporary or permanent works.



### Smooth bar (end threaded):

- 12 diameters
- 3 grades



### Fully-Threaded bar:

- 5 diameters
- 2 grades

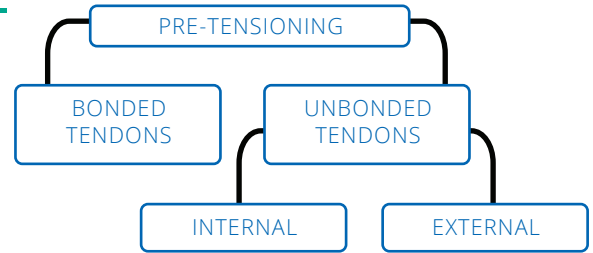
# SYSTEM DESCRIPTION

## INTERNAL VS EXTERNAL USE

Dextra Post-tensioning system can be used for the following types of tendon:

- Internal bonded tendons
- Internal unbonded tendons
- External unbonded tendons

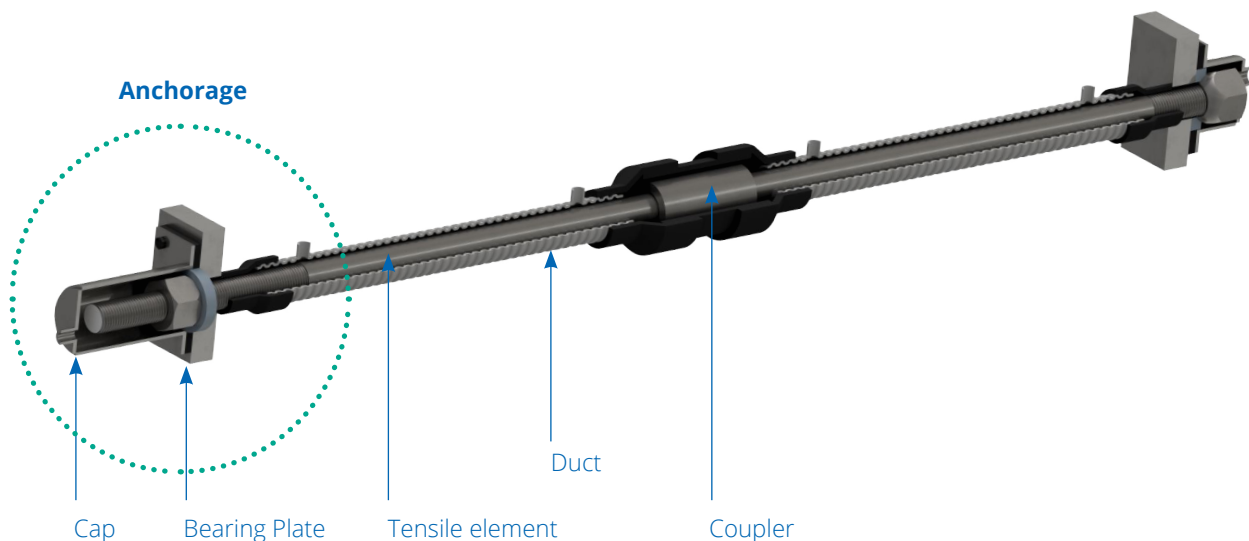
Unbonded tendon may be restressed, removed, and replaced.



## POST TENSION BAR & COMPONENTS

Dextra post tensioning kit typically comprises of the following components:

- Tensile element :** Bar (plain or ribbed) made of high tensite steel.
- Anchoragees :** Anchoragees are typically composed of a bearing plate as a minimum. Additional accessories such as trumpet and cap may be required. Injection channel may also be appropriate depending on intended use (internal/external), agreed scope of supply and defined sequence of work.
- Coupler :**
  - Movable coupler :** Bars can be stressed simultaneously when both bars are still grouted. Coupler may be located at stressing anchorage or along bar length.
  - Fixed coupler :** the bar to be stressed connects onto an already grouted tendon. Fixed couplers are located at the stressing anchorage location.
- Duct :** Used to isolate, guide and protect the tensile element. They may be made of steel (strip duct, steel pipe) or plastic (smooth or corrugated). Contractor may supply the duct depending on site schedule. Steel duct diameter shall be agreed upon with the supplier as they impact anchoragees' bearing plate size.
- Cap :** For permanent application and when anchorage isn't imbedded in concrete, the cap (steel or plastic) shall be allowed for.
- Injection fittings :** Necessary grout port and vent shall be planned for internal bonded tendons.
- Bursting reinforcement :** When required, this provides confinement to concrete to withstand prestressing loads. Contractor may generally prepare it based on its designers' input.





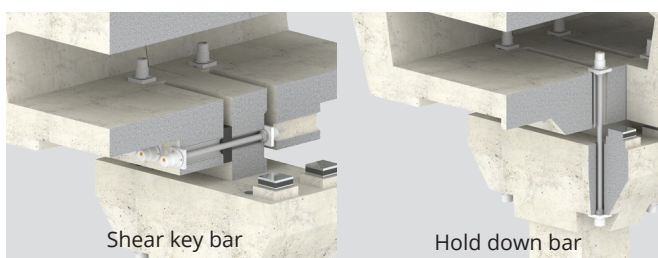
# SMOOTH BARS RANGE

## PRODUCT FEATURES

- Diameters range from 31 mm to 100 mm.
- Three steel grades are available.
  - › Gr 835/1030
  - › Gr 930/1080
  - › Gr 1050/1200
- Rolled threads (obtained with cold plastic deformation of the metal between two dies) optimized for fatigue performance.
- ISO metric thread as per ISO 965-1.

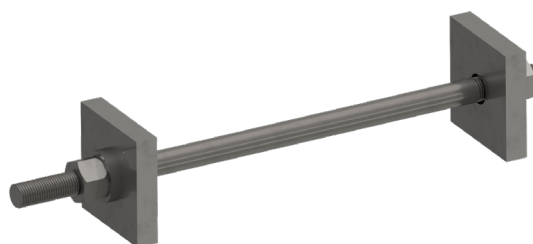
## SPECIAL APPLICATION: SHEAR KEY & HOLD DOWN BARS

- Shear key and hold down bars are a special application of PT smooth bar systems where an assembly acts as a permanent seismic restrainer for the connection of precast elements in elevated metro road for instance.
- Shear key bar systems and hold down bar systems are available with a full range of accessories for grade 1050/1200 and in four diameters: 37/M39, 43/M45, 45/M48 and 49/M52.



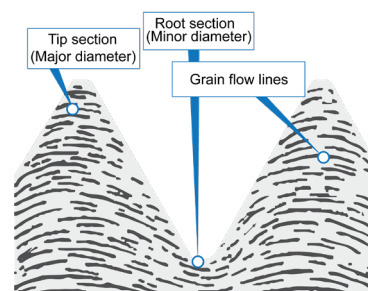
## PRODUCT BENEFITS

- High impact resistance.
- Smaller pitch allows finer adjustment and brings less draw-in loss.
- Full range of accessories for specific applications.
- High fatigue performance.



## ROLLED THREAD PROFILE

All Dextra Smooth Bars feature rolled threads. This cold forming process shapes the material continuously, giving a higher quality surface finish, as well as a greater resistance to fatigue, surface wear, and corrosion.



## LOAD TABLE

Bar thread size	Critical cross section area (mm <sup>2</sup> )	Nominal diameter (mm)	Linear weight (kg/m)	Grade 835/1030		Grade 930/1080		Grade 1050/1200	
				Yield load (kN)	Ultimate load (kN)	Yield load (kN)	Ultimate load (kN)	Yield load (kN)	Ultimate load (kN)
M33	694	31	5.9	579	714	645	749	728	832
M39	976	37	8.4	815	1005	907	1054	1025	1171
M42	1121	40	9.9	936	1155	1042	1211	1177	1345
M45	1306	43	11.4	1091	1345	1215	1410	1371	1567
M48	1473	45	12.5	1230	1517	1370	1591	1547	1768
M52	1758	49	14.8	1468	1811	1635	1898	1846	2109
M60	2362	57	20.0	1972	2433	2197	2551	2480	2834
M68	3055	65	26.0	2551	3147	2841	3300	3208	3666
M78	4114	75	34.7	3435	4237	3826	4443	4319	4936
M88	5329	85	44.5	4450	5489	4956	5755	5595	6395
M98	6701	95	55.6	5596	6902	6232	7237	7036	8042
M103	7446	100	61.7	6218	7670	6925	8042	7819	8936

Note:

- Yield loads and ultimate loads are unfactored.
- Yield stress is 0.1% proof stress.

# SMOOTH BARS RANGE

## BAR AND THREAD LENGTH



Bar thread size	Min. dead end	Min. live end
<b>M33</b>	50	150
<b>M39</b>	60	160
<b>M42</b>	70	170
<b>M45</b>	70	180
<b>M48</b>	80	190
<b>M52</b>	80	200
<b>M60</b>	90	220
<b>M68</b>	100	240
<b>M78</b>	120	270
<b>M88</b>	130	290
<b>M98</b>	140	320
<b>M103</b>	150	330

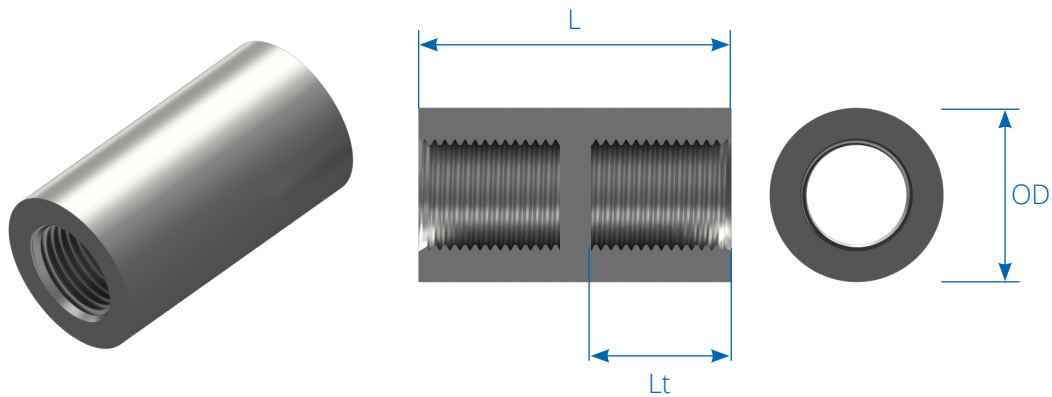
## BAR AND THREAD LENGTH FOR GROUTING SYSTEM



Bar thread size	Passive end		Active end	
	Min.	Max.	Min.	Max.
<b>M33</b>	45	70	150	165
<b>M39</b>	55	75	160	180
<b>M42</b>	65	80	170	190
<b>M45</b>	65	85	180	195
<b>M48</b>	65	90	190	205
<b>M52</b>	75	90	200	215
<b>M60</b>	85	105	220	240
<b>M68</b>	95	115	240	260
<b>M78</b>	105	125	270	285
<b>M88</b>	115	135	290	310
<b>M98</b>	125	145	320	335
<b>M103</b>	135	150	330	350

## SMOOTH BARS ACCESSORIES

### Couplers with stopper

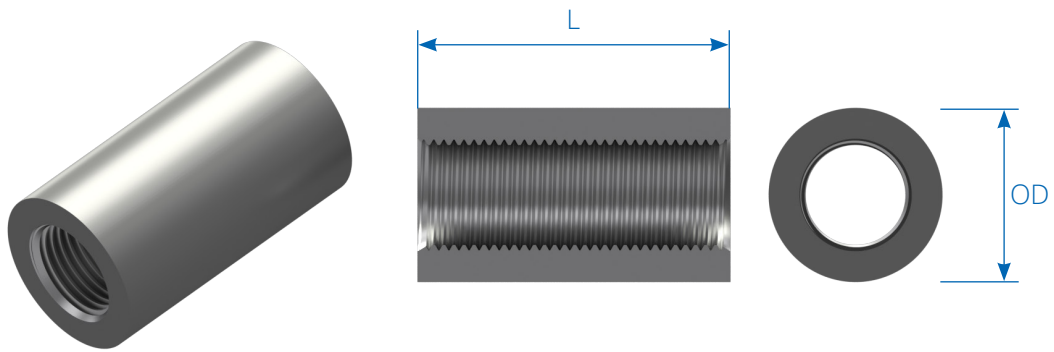


Bar nominal diameter	Bar thread size	ØOD	L	Lt
31	M33	51	107.5	45
37	M39	60	125	52.5
40	M42	65	137.5	57.5
43	M45	70	147.5	62.5
45	M48	76	160	67.5
49	M52	85	170	72.5
57	M60	95	192.5	82.5
65	M68	114	220	95
75	M78	127	250	110
85	M88	140	280	125
95	M98	168	310	140
100	M103	168	325	147.5



## SMOOTH BARS ACCESSORIES

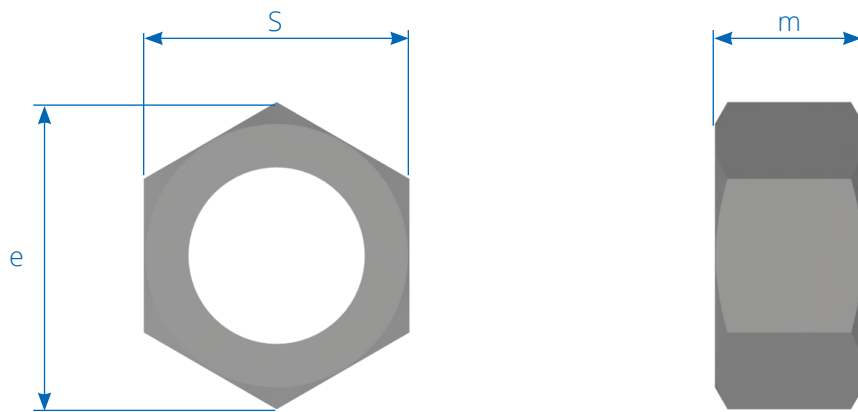
### Couplers without stopper



Bar nominal diameter	Bar thread size	ØOD	L
31	M33	51	100.5
37	M39	60	117
40	M42	65	128.5
43	M45	70	138.5
45	M48	76	150
49	M52	85	160
57	M60	95	181.5
65	M68	114	208
75	M78	127	238
85	M88	140	268
95	M98	168	298
100	M103	168	313

## SMOOTH BARS ACCESSORIES

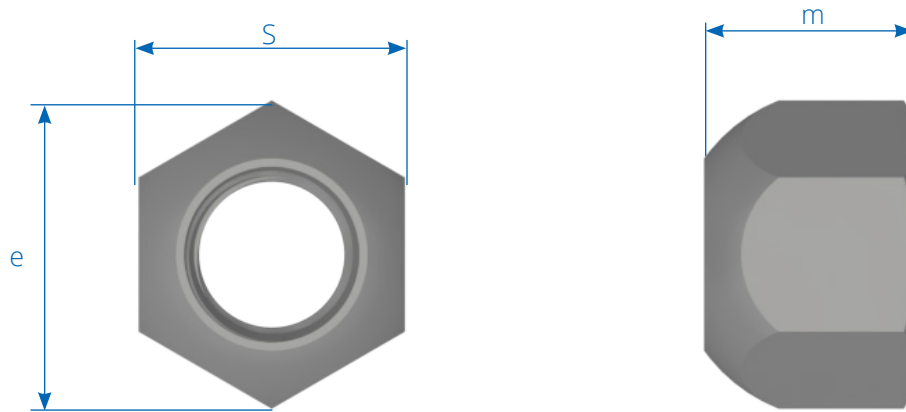
### Hex nuts



Bar nominal diameter	Bar thread size	m	S	e
31	M33	33	50	57.7
37	M39	39	60	69.3
40	M42	42	65	75.1
43	M45	45	70	80.8
45	M48	48	75	86.6
49	M52	52	80	92.4
57	M60	60	90	103.9
65	M68	68	100	115.5
75	M78	78	114	131.6
85	M88	88	125	144.3
95	M98	98	140	161.7
100	M103	103	147	169.7

## SMOOTH BARS ACCESSORIES

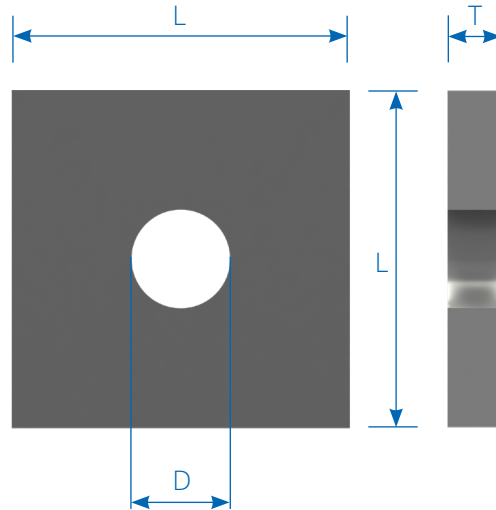
### Swivel hex nuts



Bar nominal diameter	Bar thread size	m	S	e
31	M33	42	50	57.7
37	M39	50	60	69.3
40	M42	54	65	75.1
43	M45	58	70	80.8
45	M48	60	75	86.6
49	M52	64	80	92.4
57	M60	74	90	103.9
65	M68	80	100	115.5
75	M78	92	114	131.6
85	M88	100	125	144.3
95	M98	112	140	161.7
100	M103	118	147	169.7

## SMOOTH BARS ACCESSORIES

### Flat bearing plates



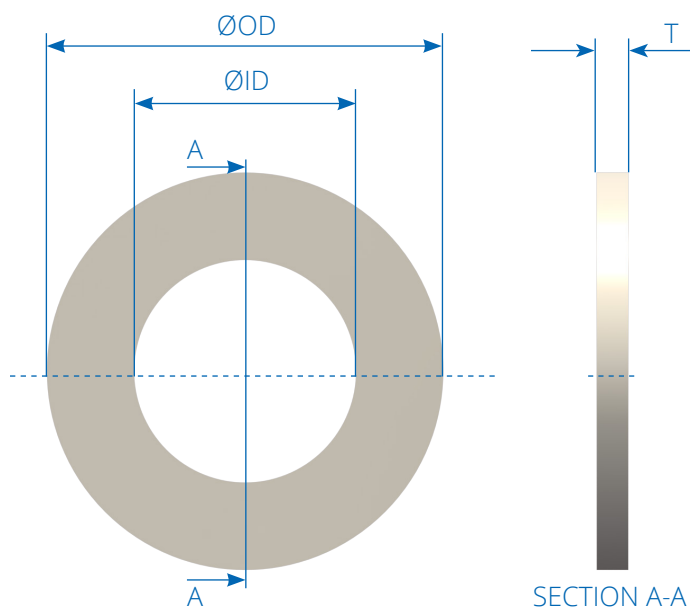
Plates are made of steel grade S355JR as per EN 10025 or equivalent.

Plate steel grade S355							
Bar grade		930/1080			1050/1200		
Bar nominal Dia	Bar thread size	Length (L)	Thickness (T)	Hole diameter (D)	Length (L)	Thickness (T)	Hole diameter (D)
31	M33	130	30	38	140	30	38
37	M39	160	30	44	170	35	44
40	M42	170	35	47	180	40	47
43	M45	180	40	50	195	40	50
45	M48	195	40	53	200	45	53
49	M52	210	45	57	220	50	57
57	M60	240	50	65	255	55	65
65	M68	275	60	73	285	70	73
75	M78	315	70	83	330	80	83
85	M88	360	80	93	375	90	93
95	M98	405	90	103	420	100	103
100	M103	425	100	108	445	110	108



## SMOOTH BARS ACCESSORIES

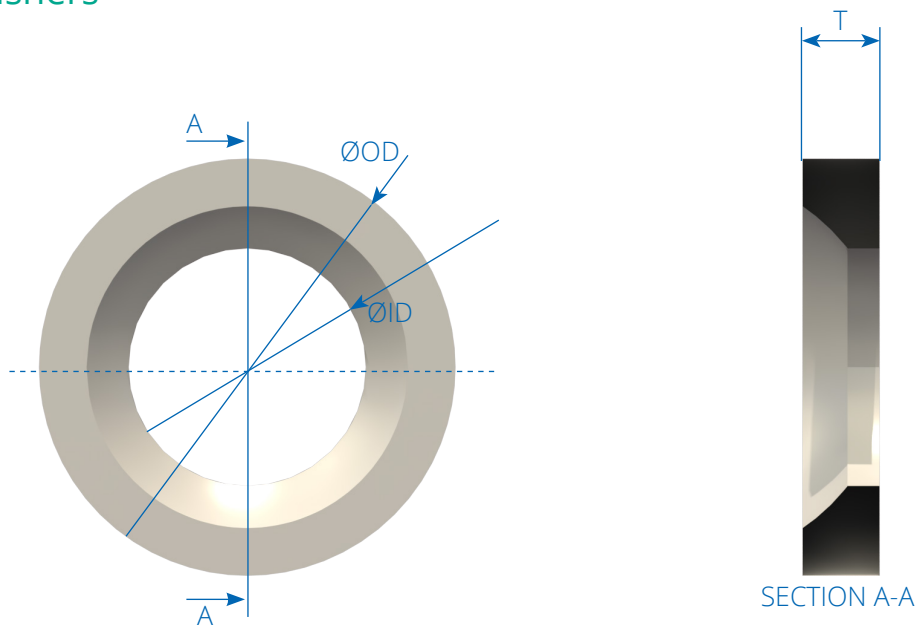
### Plain washers



Bar nominal diameter	Bar thread size	$\varnothing ID$	$\varnothing OD$	T
31	M33	37	65	5
37	M39	43	80	7
40	M42	46	85	7
43	M45	49	90	7
45	M48	52	95	7
49	M52	56	100	7
57	M60	64	130	12
65	M68	72	140	12
75	M78	82	160	14
85	M88	91	180	17
95	M98	102	200	18
100	M103	107	210	19

## SMOOTH BARS ACCESSORIES

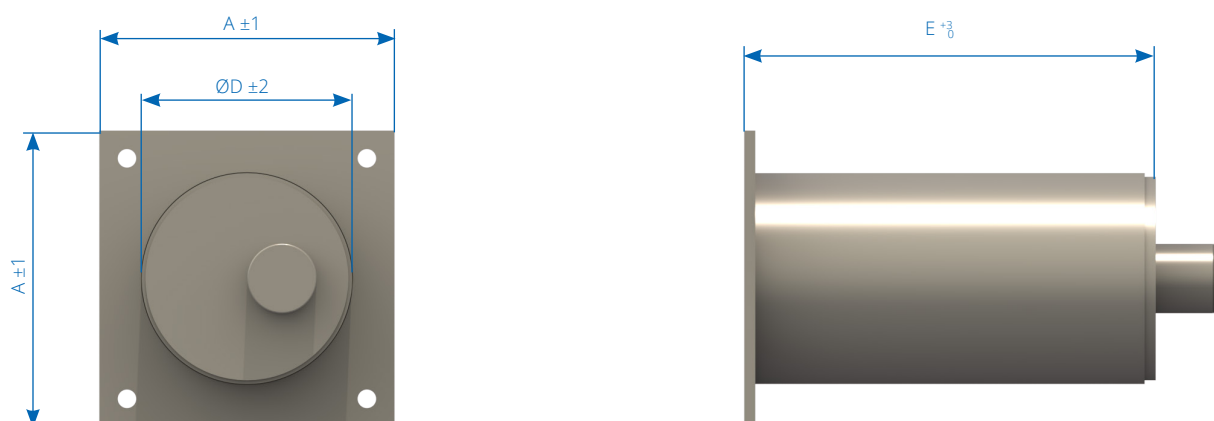
### Swivel washers



Bar nominal diameter	Bar thread size	ØID	ØOD	T
31	M33	37	65	13
37	M39	43	80	16
40	M42	46	85	17
43	M45	49	90	18
45	M48	52	95	19
49	M52	56	100	23
57	M60	64	130	21
65	M68	72	140	25
75	M78	82	160	29
85	M88	91	180	32
95	M98	102	200	35
100	M103	107	210	37

## SMOOTH BARS ACCESSORIES

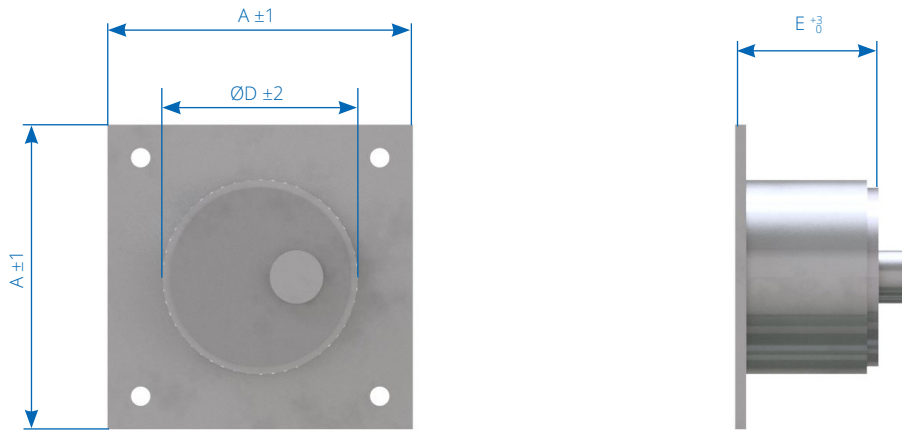
### PT-cap active end tube



Bar nominal diameter	Bar thread size	A	D	E
31	M33	120	89	170
37	M39	140	102	184
40	M42	150	102	192
43	M45	160	102	200
45	M48	170	114	208
49	M52	180	114	217
57	M60	200	140	235
65	M68	220	168	255
75	M78	270	219	280
85	M88	270	219	305
95	M98	300	219	330
100	M103	320	273	343

## SMOOTH BARS ACCESSORIES

### PT-cap passive end tube



Bar nominal diameter	Bar thread size	A	D	E
31	M33	120	89	75
37	M39	140	102	81
40	M42	150	102	84
43	M45	160	102	87
45	M48	170	114	90
49	M52	180	114	94
57	M60	200	140	102
65	M68	220	168	110
75	M78	270	219	120
85	M88	270	219	130
95	M98	300	219	140
100	M103	320	273	145



# FULLY THREADED RANGE

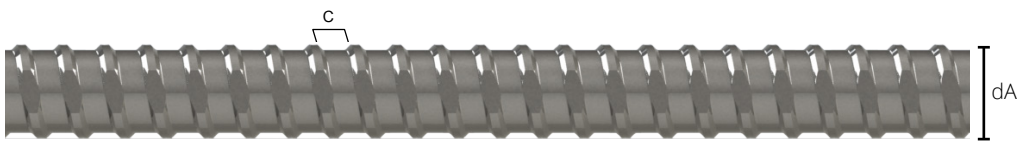
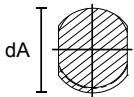


## PRODUCT FEATURES

- Diameters range from 25 mm to 50 mm.
- Two steel grades are available.
  - › 830/1030.
  - › 930/1080.
- Continuous hot rolled thread.

## PRODUCT BENEFITS

- Bars and accessories are re-suable. It is recommended to be reused maximum 10 times considering that each components are new and remain in good condition after first uses. Actual re-use rate shall be defined and validated by the Engineer depending on the actual conditions of each components on site and application.
- Cuttable at site.
- Continuous thread makes connection possible at any point.
- Large pitch especially suitable for fast installation and temporary applications.
- Re-tensioning possible without any damage.
- Full range of accessories, including corrosion protection accessories, also supplied by Dextra.



## SYSTEM LOAD TABLE

Bar nominal diameter	Max diameter dA	Pitch c	Cross-section area	Linear weight	Grade 830/1030		Grade 930/1080	
					Yield load	Ultimate load	Yield load	Ultimate load
mm	mm	mm	mm <sup>2</sup>	kg/m	kN	kN	kN	kN
25	28	12	491	3.9	407	506	457	530
32	36	16	804	6.3	668	828	748	869
36	41	18	1018	8.0	845	1048	947	1099
40	45	20	1257	9.9	1043	1294	1169	1357
50	56	24	1963	15.4	1630	2022	1826	2121

Note: Yield loads and ultimate loads are unfactored.

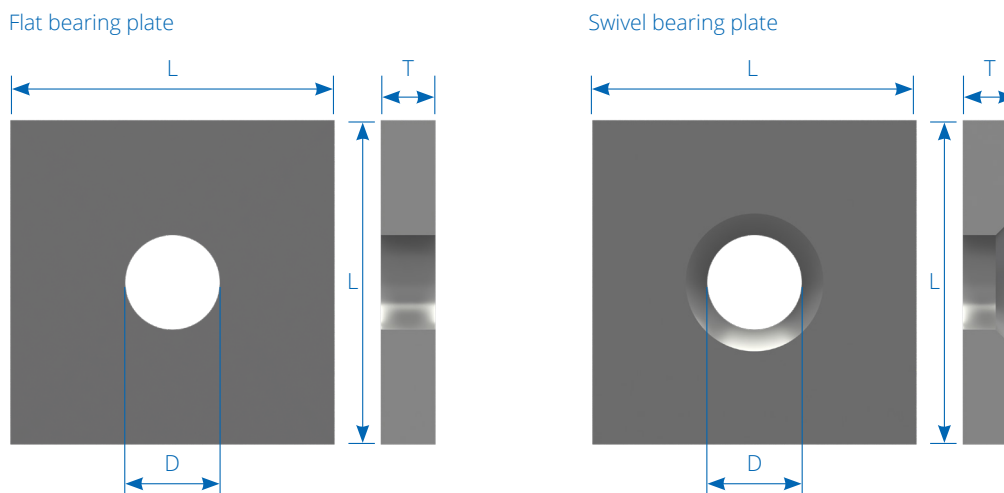
## BAR AND THREAD LENGTH



Bar nominal diameter	Min. live end	Min. dead end
	mm	mm
25	180	90
32	217	112
36	227	122
40	267	147
50	312	172

## FULLY THREADED BARS ACCESSORIES

### Bearing plates



Flat bearing plate						
Bar grade	830/1030			930/1080		
Bar nominal diameter	Length (L)	Thickness (T)	Hole diameter (D)	Length (L)	Thickness (T)	Hole diameter (D)
25	130	30	34.0	125	25	34.0
32	160	30	41.0	160	30	41.0
36	170	35	46.0	180	35	46.0
40	180	40	50.0	200	40	50.0
50	240	50	61.0	250	50	61.0

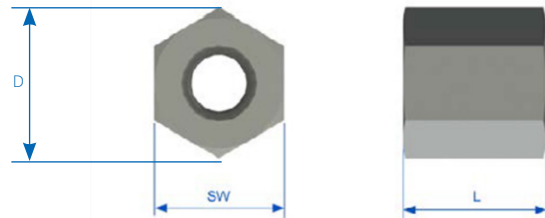
Swivel bearing plate						
Bar grade	830/1030			930/1080		
Bar nominal diameter	Length (L)	Thickness (T)	Hole diameter (D)	Length (L)	Thickness (T)	Hole diameter (D)
25	130	30	35.0	125	25	35.0
32	160	30	45.0	160	30	45.0
36	170	35	50.0	180	35	50.0
40	180	40	55.0	200	40	55.0
50	240	50	60.0	250	50	60.0

Note: Plate dimensions are designed based on following assumptions. Dimension may vary depending on actual design parameters and requirements :

- Seating on Concrete: Concrete grade of C45/55 with cylinder compressive strength of 45MPa.
- Tensioning Force: Maximum stressing force =  $0.8F_u$  = maximum between ( $0.80 F_u$  as per ETAG 13) and (minimum of  $0.8F_u$  and  $0.9F_y$  as per BS EN 1992-1-1 clause 5.10.2.1)

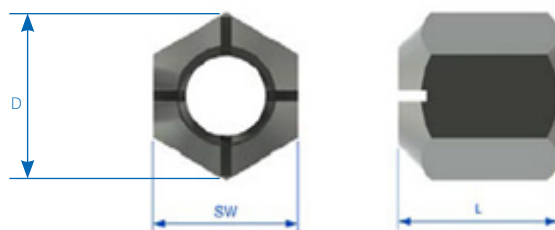
## FULLY THREADED BARS ACCESSORIES

### Flat hexagonal nuts



Bar nominal diameter	L	SW	D
mm	mm	mm	mm
25	60	50	57
32	72	65	75
36	80	65	75
40	100	70	81
50	110	80	92

### Swivel hexagonal nuts

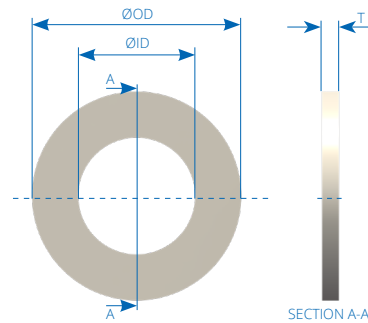


Bar nominal diameter	L	SW	D
mm	mm	mm	mm
25	60	50	57
32	72	65	75
36	80	65	75
40	100	70	81
50	110	80	92



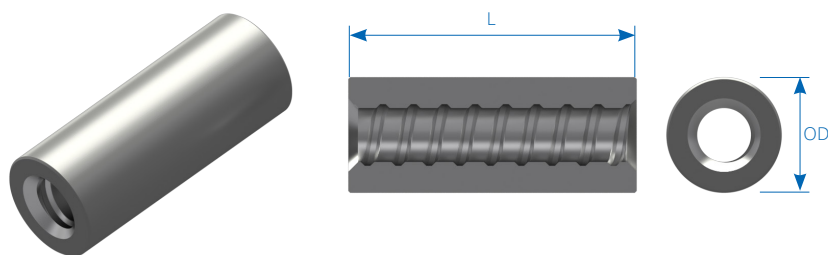
## FULLY THREADED BARS ACCESSORIES

### Flat washers



Bar nominal diameter	ØID	ØOD	T
mm	mm	mm	mm
25	37	65	5
32	46	85	7
36	52	95	7
40	56	100	7
50	64	130	12

### Couplers

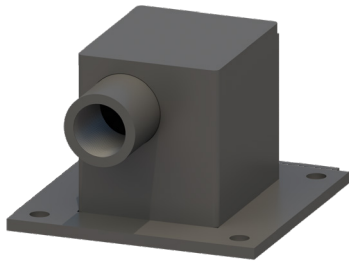


Bar nominal diameter	L	OD
mm	mm	mm
25	132	50
32	168	60
36	180	70
40	220	74
50	270	88

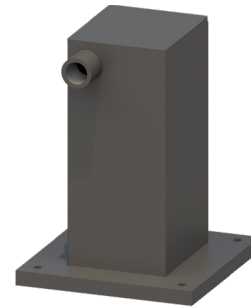
# FULLY-THREADED & SMOOTH BAR SPECIAL ACCESSORIES

## CAPS

Square cap can be used in a specific project that requires minor adjustment and low tolerances in installation, and shall be used when the hex nut needs to be secured by the cap before final installation.

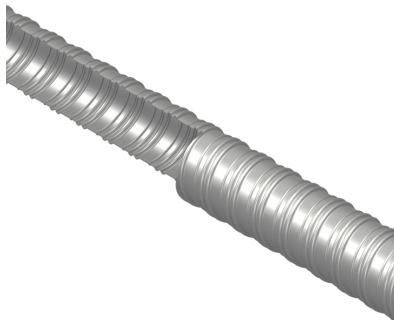


Short length steel square cap

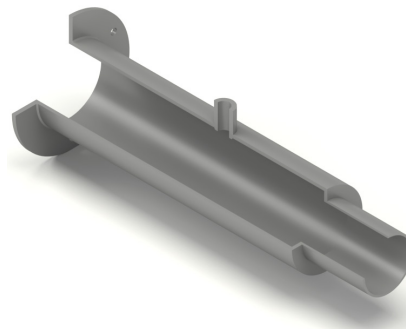


Long length steel square cap

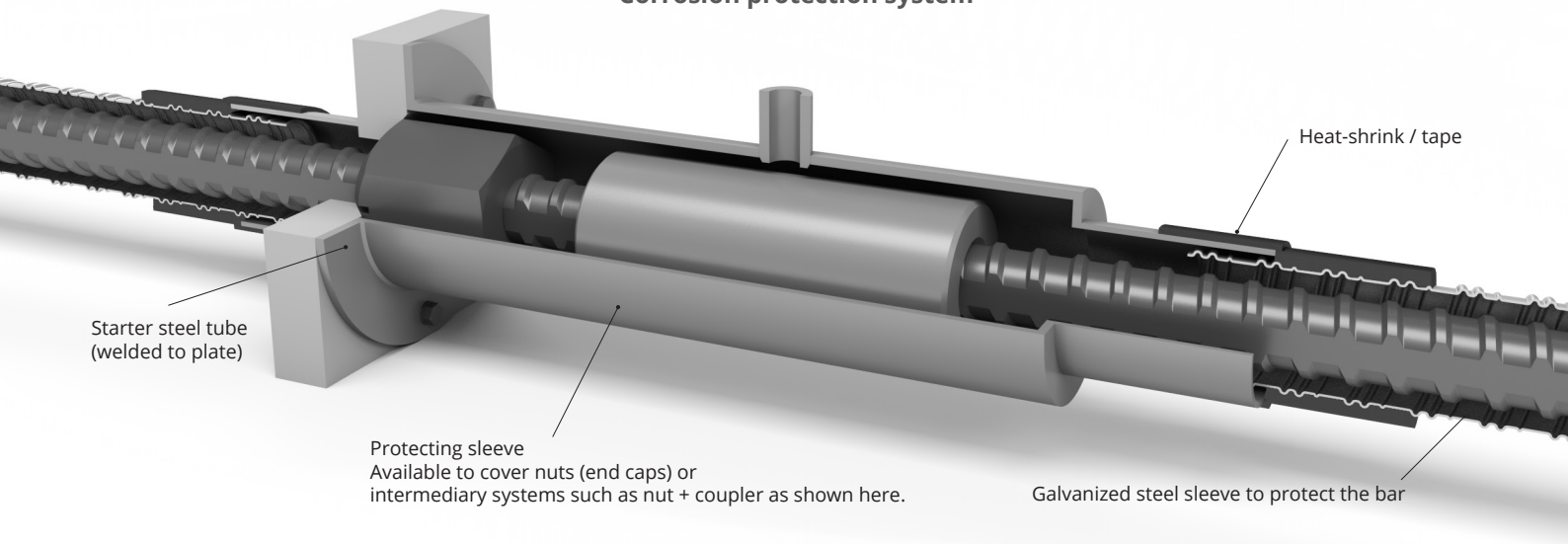
## DUCTS



## CONTINUATION CONNECTION



### Corrosion protection system



Starter steel tube (welded to plate)

Protecting sleeve  
Available to cover nuts (end caps) or intermediary systems such as nut + coupler as shown here.

Heat-shrink / tape

Galvanized steel sleeve to protect the bar

# CORROSION PROTECTION

## BAR CORROSION PROTECTION

Selected corrosion protection system depends on type of bar.

Bonded tendons are generally protected by cement grout which provides an alkaline environment.

Unbonded bars may be coated with:

- Grease impregnated heat shrink
- Grease (encapsulated in plastic duct)
- Wax (hot injection) (encapsulated in plastic duct)
- Petroleum tape (only applicable for smooth bar)
- Epoxy coating (for temporary use)

Corrosion protection related accessories will vary depending on the selected corrosion protection solution.

Bar Protection	BONDED	UNBONDED		
		With free tendon duct (External)	Without free tendon duct (Internal)	
	Permanent	Permanent	Temporary	Permanent
With steel strip trumpet tube and grouting injection after stressing.		Heat shrink / Petrolatum tape +PE +Trumpet	PE Duct +Trumpet	Heat shrink / Petrolatum tape
		Grouting after stressing. (Grease / wax before stressing if for shear key)	No coating	Grouting / Wax / Grease before stressing (applied by others)

## ANCHORAGE CORROSION PROTECTION

When anchorage is embedded in concrete or grouted after stressing, no corrosion protection is required. This is most often the case for bonded items.

When anchorage remains exposed after stressing and completion of work, corrosion protection of anchorage (plate, nut, cap) shall be considered:

- Plate and cap: May be painted or galvanized
- Nut: Shall be protected by a corrosion protection compound injected in the cap.  
This may be grout, grease or wax.

# STRESSING

## LIMITATION OF STRESSING FORCE

The maximum allowable stressing force in the prestressing bars is given by the relevant applicable standard and National Annex. Below recommendation is given as an example only :

**Eurocode**

- Stressing force:  $\text{Min}\{0.8 f_{pk} ; 0.9 f_{p0.1k}\}$
- Initial prestressing force\*:  $\text{Min}\{0.75 f_{pk} ; 0.85 f_{p0.1k}\}$
- \*Immediately after transfer of stressing force onto stressing anchorage.

**AASHTO**

- Stressing force:  $\text{Min}\{0.8 f_{pk} ; 0.94 f_{p0.2k}\}$
- Initial prestressing force\*: 0.70 f<sub>pk</sub>
- \*Immediately after transfer of stressing force onto stressing anchorage.

**Reuse:**

- Stressing force: 0.5 f<sub>pk</sub>

## STRESSING PROCEDURE

Stressing of straight tendons is generally performed from one end only (stressing/active anchorage). Two jacking methods are given as examples only:

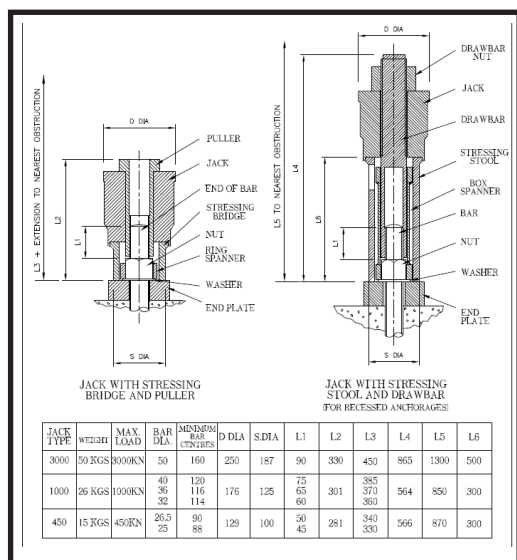
**Torque tensioning:** Calibrated torque wrenches may be used when low loads are required (~25% of f<sub>pk</sub>). The accuracy of the load induced is very dependent on the friction between nut and bar. Dextra therefore do not recommend torque tensioning when accurate or high prestressing load must be applied.

**Tension by jack:** This is the recommended method. Jack may be connected directly to the tendon using a threaded puller. Alternatively, standard hollow jack may be used and tendon extended by a "stressing kit" (coupler, short bar, nut).

Jack shall calibrated and used in conjunction with high pressure and low flow rate pump to allow progressive tensioning. Calibrated gauge shall be used to record the force. Tendon stretch shall also be recorded.

Also, bar jacks have a hand or mechanical ratchet to rotate and tighten the anchor nut against the anchor plate as the bar elongates under load.

Anchorage recess and surrounding concrete or steel structure shall allow sufficient room for operating the jack. See below dimensions to consider.



# TRANSPORTATION & INSTALLATION

## BARS PACKING

Dextra pays particular attention to the packing of all its bars and components to ensure safe delivery of the products.

The process includes the individual protective packing of the steel bars and various solutions such as steel racks, boxes or tailor made packing structures.

Bars can also be packaged with air bags to protect both bars and coating during sea shipment.



## ACCESSORIES PACKING

Similarly, accessories can be shipped in wooden boxes, crates, wrapped on pallets or secured on specific packing structures.



## DRAWING APPROVAL

Dextra will submit drawing for approval to agree on detailed scope of supply and interface between packages to ensure subsequent smooth site works.

## INSTALLATION

Detailed installation method statement will be provided at time of delivery.

## GROUTING OR COMPOUND INJECTION

Dextra system will include required injection port and vent/drain whenever grouting or corrosion protection compound injection is scheduled. The durability of post-tensioning works depends on the quality of the grouting execution. Contractor shall comply with applicable standard and guideline.

## TRANSPORTATION, HANDLING AND STORAGE

Dextra PT systems should be transported in containers or covered vehicles. Do not drag or drop the bars over sharp edges, steel or concrete.

For bars longer than 6m, a spreader bar should be used for lifting to prevent the bars from over bending.

All products must be stored in a dry, covered and well-ventilated area, on wooden sleepers and not directly on the ground.

## TEMPORARY SURFACE RUST PREVENTION

Once delivered, the PT bars can be regularly spraid with Shell Dromos-B compound every 2 to 4 weeks.



# QUALITY & TRACEABILITY


## LABELLING & IDENTIFICATION

Part tags, when used in conjunctions with drawings Issued For Construction (IFC), are used to identify part location and to help facilitate assembly.

Dextra supplies every bar labeled with an ID tag.

This tag bears:

- The project name;
- The part number, giving the traceability to the drawing;
- The work order number, for Dextra use;
- The lot number, giving the traceability to all the QC documents, including testing and inspection;
- The key dimensions (e.g. thread direction, thread size, pitch, length, threaded length);
- The quantity of items of same specifications.



**Dextra Manufacturing Co.,Ltd.**

**Project.** \_\_\_\_\_  
                  xxxxx-xxxxxx xxxxxxxx-xxxxxxx

**Part No.** \_\_\_\_\_  
                  xxx-xxxxxxx

**W/O No.** \_\_\_\_\_  
                  xxxxxx

**Bar lot No.** \_\_\_\_\_ **Bar** \_\_\_\_\_  
                  xxxx                  xxxxxx

**Threading Length.** \_\_\_\_\_  
                  xxxxx-xxxxx

**Cutting Length.** \_\_\_\_\_ **mm.** **Qty.** \_\_\_\_\_ **Piece**

Tel. 02 3280211 - 7, Fax. 02 7262975 <https://www.dextragroup.com> L3

Accessories part numbers are identified on box, crates, pallets, etc.

## ENQUIRIES

For each enquiry, customers are requested to provide the following information:

1. The applicable design standard (EC2, AASTHO)
2. The required grade of bar
3. The required diameter of bar
4. The required prestressing loads
5. The concrete compressive strength
6. The duct diameter if supplied by Contractor
7. The required concrete to concrete length
8. Bill of Quantity
9. Type (Bonded, unbonded, internal, external)
10. Required corrosion protection system
11. Expected scope of supply
12. Delivery location
13. INCOTERMS
14. Expected lead time

## PROVISION FOR CHANGE

As we strive for continuous improvement of all our products, Dextra reserves the right to modify the contents of this document at any time without prior notice.

## QUALITY ASSURANCE

ISO 9001-certified since 1996, Dextra also became in 2009 the first manufacturer in South East Asia to be certified by the American Society of Mechanical Engineers (ASME), emphasizing its outstanding commitment to top quality.



## TRACEABILITY CONTROL

Every component of the Dextra tension bar system is manufactured under consistent quality assurance as required by ISO 9001 certification.

Load-bearing components such as plates, nuts and couplers are all individually marked with a lot number that enables full traceability.

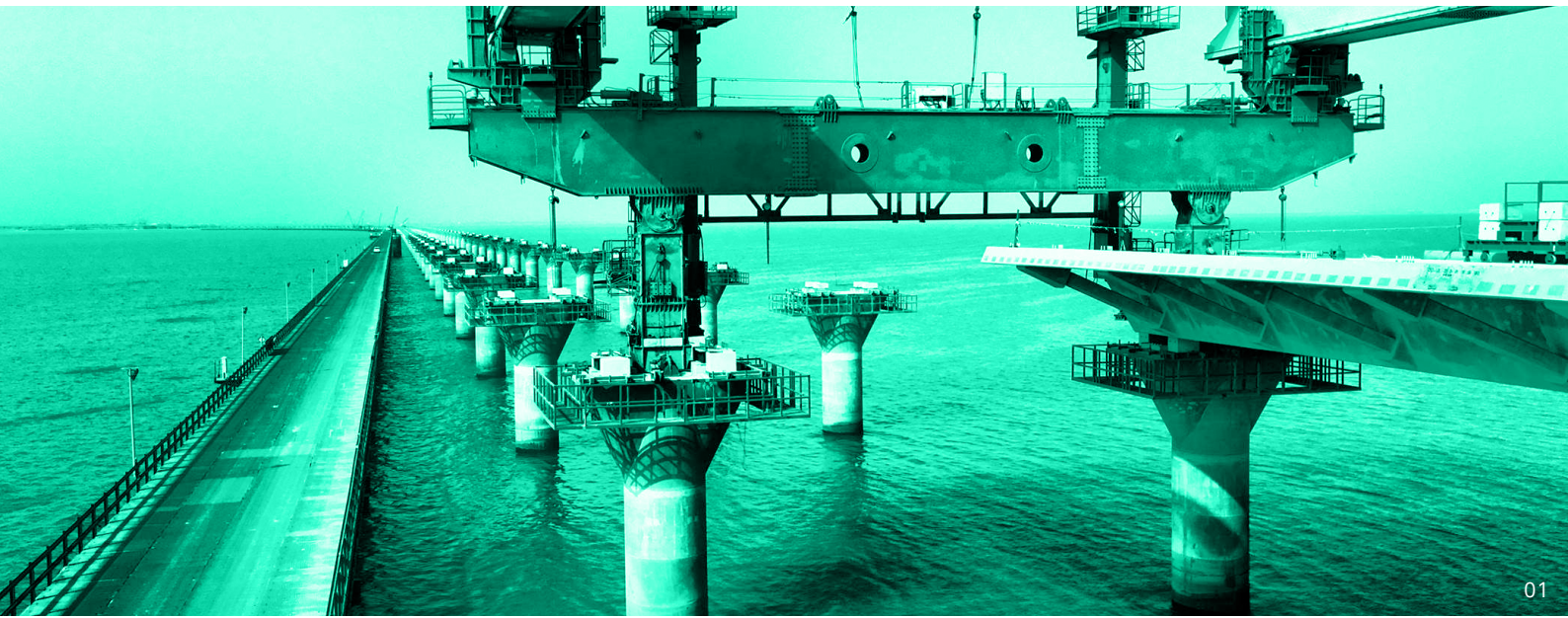
Traceability of bars is achieved through both the mill certificates and the certificates of compliance provided together with the delivery notes.

A certificate of compliance, provided with every delivery enables full traceability of bars including, mill certificates, testing reports and inspection data.

Upon request, the compilation of all the quality documents can be delivered, once all goods have been shipped out.



# PROJECT REFERENCES



01



02



03



04



05



06

## 01 | Causeway Across Kuwait Bay

Jaber Causeway, Kuwait  
Application: Lifting of the Main girder,  
fixing of the Pylon piles

## 04 | Binh Khanh Bridge

Ho Chi Minh City, Vietnam  
Application: lifting and fixing of the  
girder precast segments

## 02 | Mandovi Bridge

Panaji, Goa, India  
Application: temporary lifting precast  
segments

## 05 | Hyderabad Metro, India

Hyderabad, India  
Application: lifting and fixing of the  
girder precast segments

## 03 | Bach Dang Bridge

Quang Ninh, Vietnam  
Application: lifting and fixing of the  
girder precast segments

## 06 | Nhat Than Bridge

Hanoi, Vietnam  
Application: lifting and fixing of the  
girder precast segments





07

**07 | La Reunion: Route du Littoral**

Reunion, France  
Application: Lifting



08

**08 | TH 2139 Windmill TH**

Thailand  
Application: Anchoring



09

**09 | Nakhon Ratchasima Motorway**

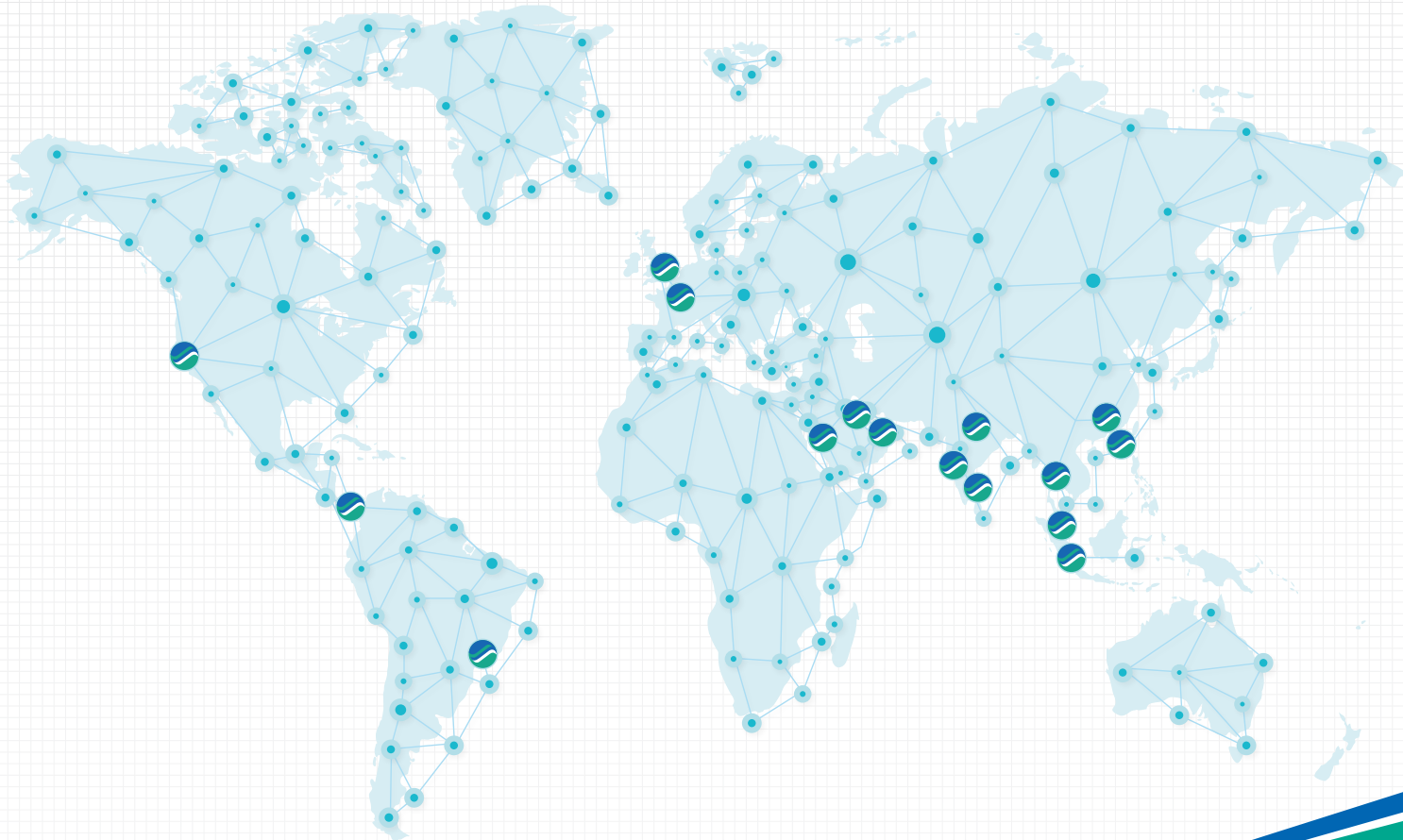
Nakhon Ratchasima, Thailand  
Application: Fixing of segment launcher



10

**10 | Nakhon Ratchasima Motorway**

Nakhon Ratchasima, Thailand  
Application: Lifting of girder



Commercial presence  
in more than  
**55** countries



**Dextra**

[www.dextragroup.com/contact](http://www.dextragroup.com/contact)

### Main offices

**HEADQUARTER THAILAND**  
Dextra Manufacturing Co., Ltd.  
Tel: (66) 2 021 3800

**CHINA**  
Dextra Building Products (Guangdong) Co., Ltd.  
Tel: (86) 20 2261 9901

**HONG KONG**  
Dextra Pacific Ltd.  
Tel: (852) 2845 7766 / 2511 8236

**EUROPE**  
Dextra Europe SARL.  
Tel: (33) 1 45 53 70 82

**MIDDLE EAST**  
Dextra Middle-East FZE  
Tel: (971) 4886 5620

**INDIA**  
Dextra India Pvt. Ltd.  
Tel: (91) 22 2838 6294 / 22 2839 2694

**NORTH AMERICA**  
Dextra America Inc.  
Tel: (1) 206 742 6020

**LATIN AMERICA**  
Dextra Latam  
Tel: (507) 6454 8100 / 831 1442

**BRAZIL**  
Dextra do Brasil  
Tel: (55) 11 5505 2475 / 11 5505 2477