



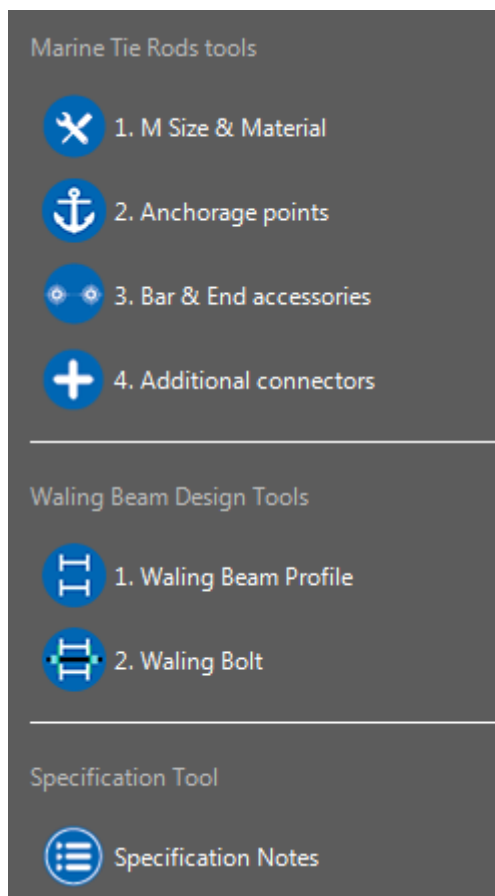
Dextra

Dextra Marine Tie Rods AutoCAD Palette

The Dextra Marine Tie Rods application is designed to work with AutoCad 2010 and more recent versions. We recommend the user to also download and study the “[Tie Rods Technical Reference Guide](#)” to have full understanding of the product.

How to start using the application?

Once you installed this application to your AutoCad workspace. You will get the new Dextra Marine Tie Rods palette tools on the left of your screen. The user may refer to the sequence of items to know in which order use the tools:



Description of each sequence.

Marine Tie Rods tools

1. M Size & Material

This command is used to set up material and thread size of the project. This will affect the parameters or the other applications 2, 3, 4.

2. Anchorage point

This command is used to place an anchorage accessory in one of the walls. Depending on the type of wall on the project, the accessory may vary.

3. Bar & End accessories

This command is used to create the tendon between the 2 anchorage accessories. Note that it will adjust if the 2 anchorages are not at the same elevation level.

4. Additional connectors

This command is used for add the connector where bar length is greater than 11.8 m or as per site requirements.

Waling Beam Design Tools

1. Waling Beam Profile

This command is used to place generic waling beam profiles to your project. They are available in "H", "Chanel" and "UPN" profile.

2. Waling Bolt

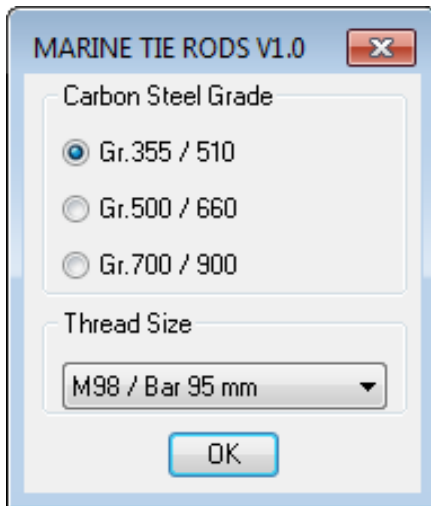
This command is used to tie 2 waling beams together.

Specification Tool

Specification Notes

This command is used to generate specification notes automatically based on the item you click: a bar, a thread, an accessory, etc.

1. M Size & Material



Carbon Steel Grade: Higher steel grade will allow to pick smaller bar diameters. They are also easier to install on the construction site.

Thread size: Dextra define tie rods system by their thread size.

To identify which Grade/Size is needed for a given load. Refer to the “Dextra Marine Tie Rods Technical Guide” available in the download section of www.dextragroup.com.

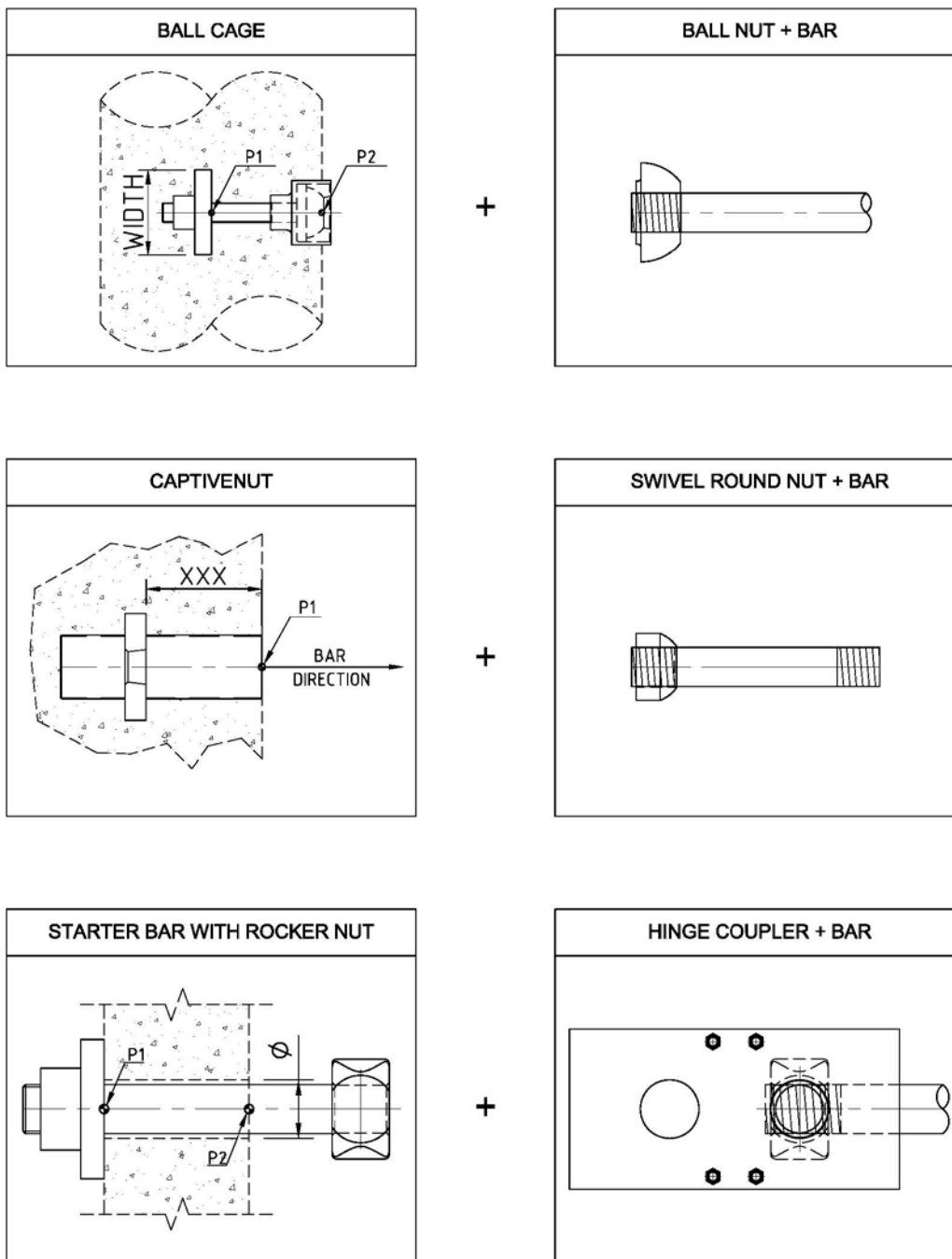
POSSIBLE COMBINATIONS & INSERTION POINTS (1/2)

We recommend you print this document to remember how to insert the various items. "Anchorages" are dimensioned automatically based on variables measured by insertion points. "Bars and End accessories" inserted in Step 3, simply select the anchorage block (left column)

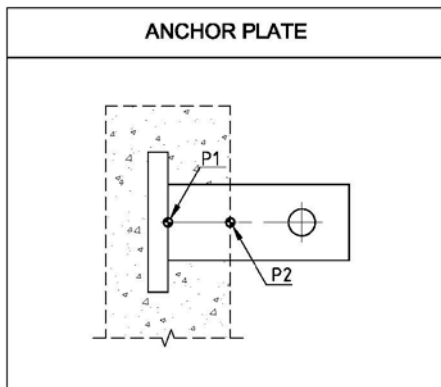
P1: first click, P2: second click, P3: third click.

Bar direction can be indicated without selecting a precise angle.

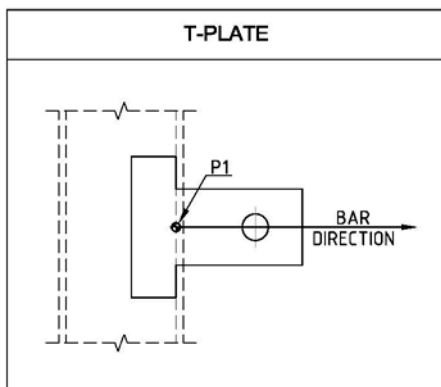
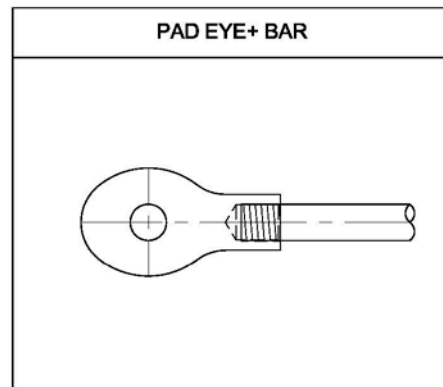
2. Anchorage point



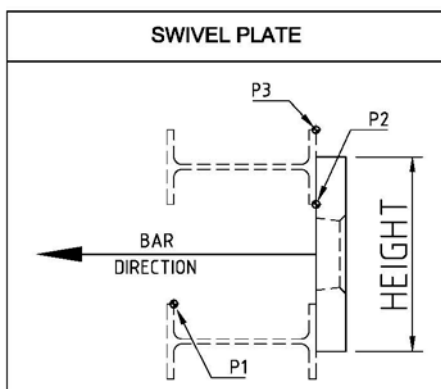
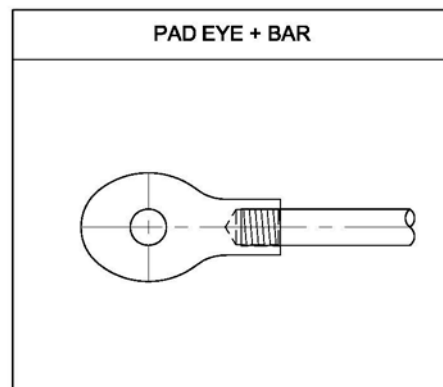
POSSIBLE COMBINATIONS & INSERTION POINTS (2/2)



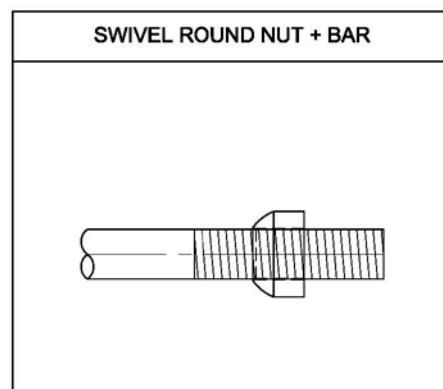
+



+

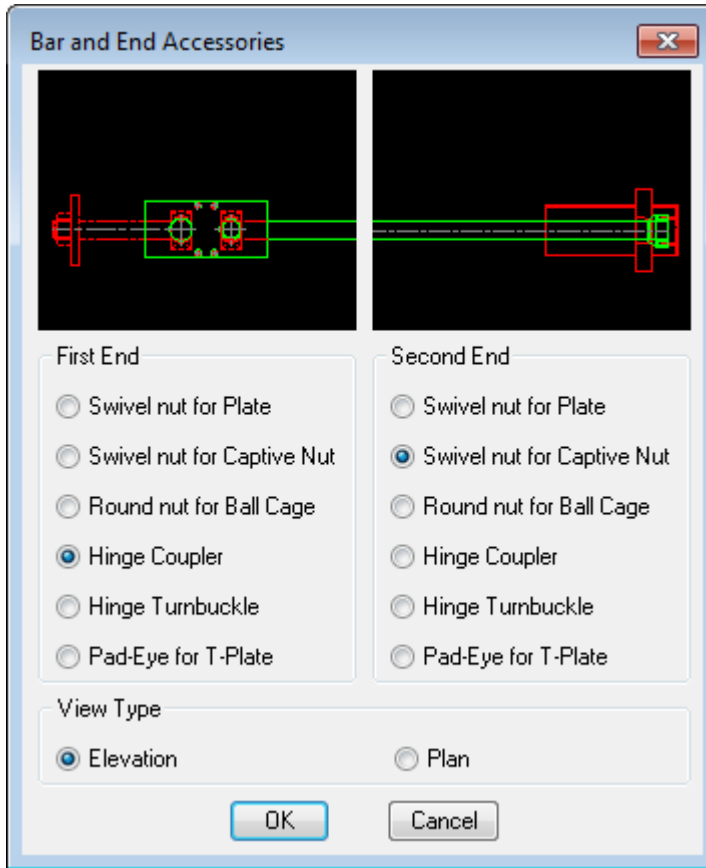


+

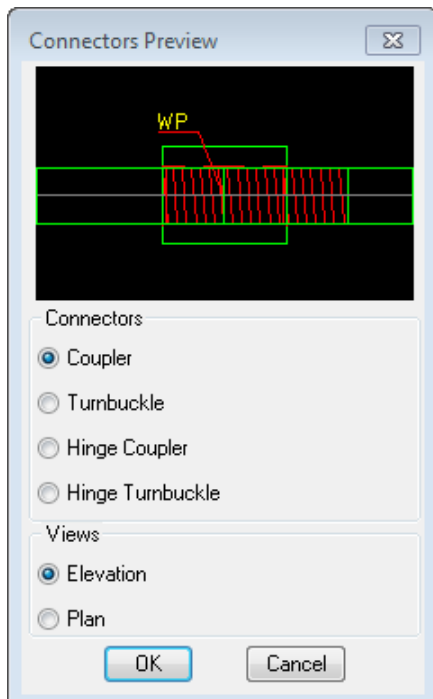


3. Bar & End accessories

To create the tendon between the 2 anchorages just select first end and second end accessory then pick them in order.



4. Additional connectors



Used for add the connector where bar length is greater than 11.8 m or as per site requirements.

Available in 3 connection type.

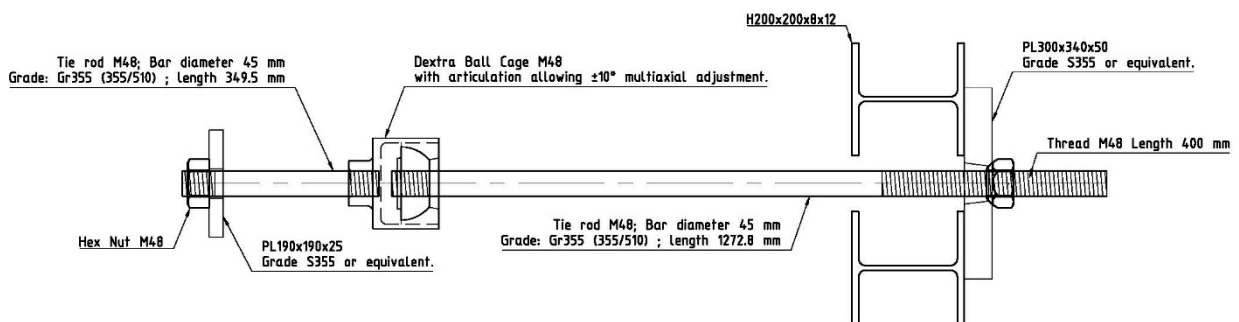
- 1 Coupler
- 2 Turnbuckle
- 3 Hinge Coupler
- 4 Hinge Turnbuckle



Dextra

Specification Notes

Used to specify nuts, plates, threads, bars, accessories, waling beams, etc. First click on the block to specify, second click to set the text quote. Note is generated automatically and fully editable.



Updates

Please regularly check www.dextragroup.com to make sure you are using the last version of our product range.

Contact us

Dextra CAD & BIM tools are created for you, help us improve them!
Send us questions, feedback and suggestions to this email address:

cadbim@dextragroup.com

Thank you for using our solutions!

